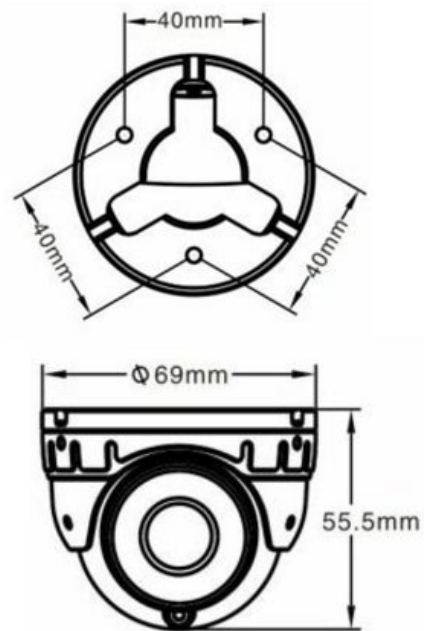


# CP- SC-D10L1-V

1MP AHD IR Mobile Camera - 10 Mtr.



## Main Features

- 1/3" 1.3MP CMOS Image Sensor
- Supports 25/30fps@720P
- Adapt to volatile environments
- 3.6mm, 2.8mm optional
- AGC and AWB Mode
- Audio band-pass filter(optional)
- IR Range of 10 Mtr.
- Avoid vehicle circuit interface; support high temperature on vehicle roof



\*Product casing and specifications are subject to change without prior notice

# CP- SC-D10L1-V

## 1MP AHD IR Mobile Camera - 10 Mtr.

### Feature

Image Sensor  
Minimum Illumination  
Shutter Speed  
White Balance  
Gain Control(AGC)  
Lens  
Back Light Compensation  
S/N Ratio  
Resolution  
Video Output  
Audio Input  
Scanning System  
Sync System  
Gamma Correction  
IR  
Operating Temperature  
Power Source  
Power Consumption  
Weight

### Specification

1/3" 1.3 MP CMOS Image Sensor  
0 Lux when IR on  
Auto  
Auto  
Auto  
3.6mm, 2.8mm optional  
ON/OFF Selectable  
≥50dB (AGC off)  
720P (1.0 MP)  
AHD standard output, 4-pin aviation cable  
(Support band-pass filter) Optional  
2:1 interlaced  
Inter-sync  
0.45  
10 Mtrs.  
-40°C ~ 70°C  
12V DC ± 10%  
120mA/DC 12V±5% (IR on); 70mA/DC12V±5% (Without IR)  
205g